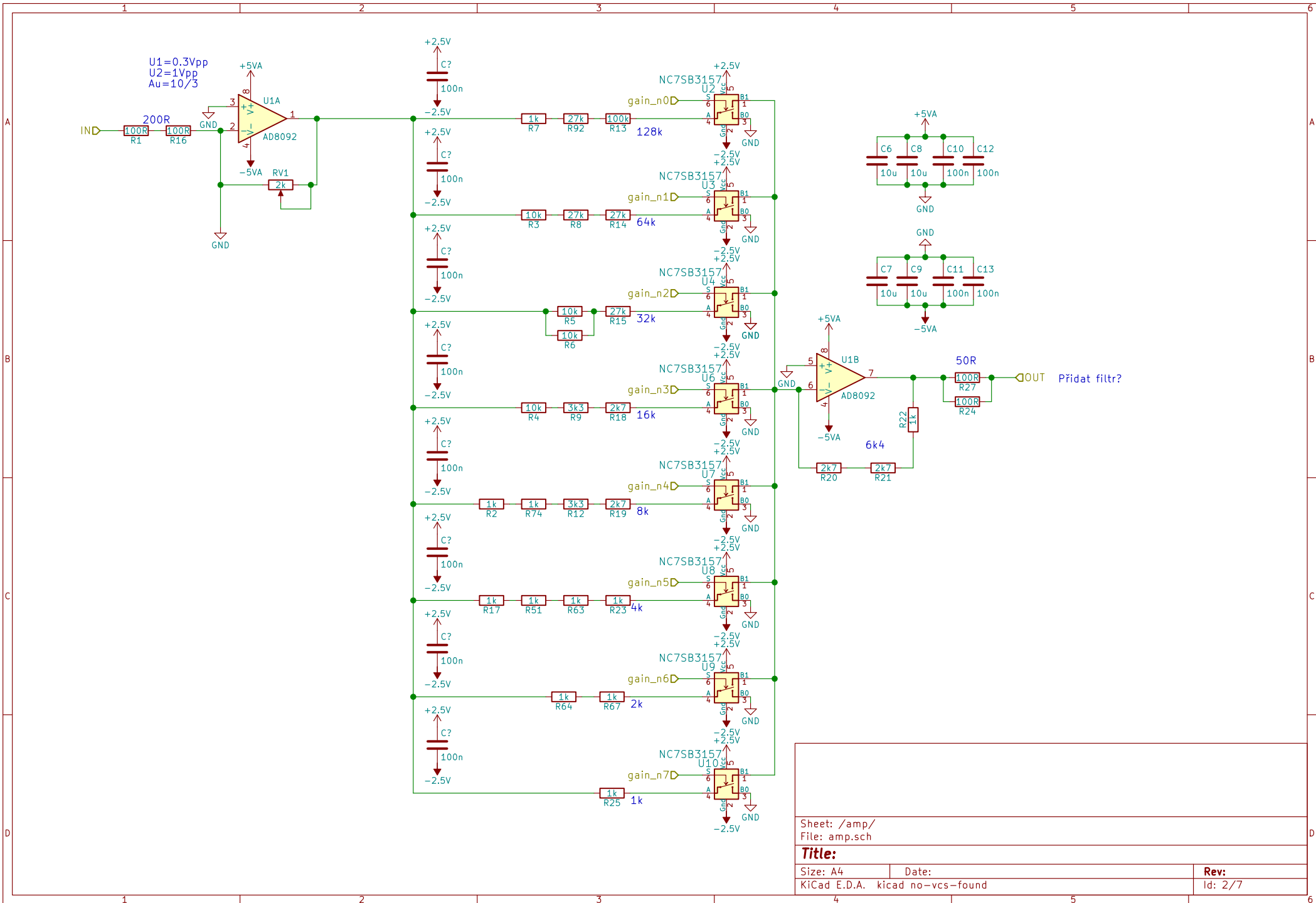


Sheet: /		
File: function_generator.sch		
Title:		
Size: A4	Date:	Rev:
KiCad E.D.A. kicad no-vcs-found		Id: 1/7



Sheet: /amp/
File: amp.sch

Title:

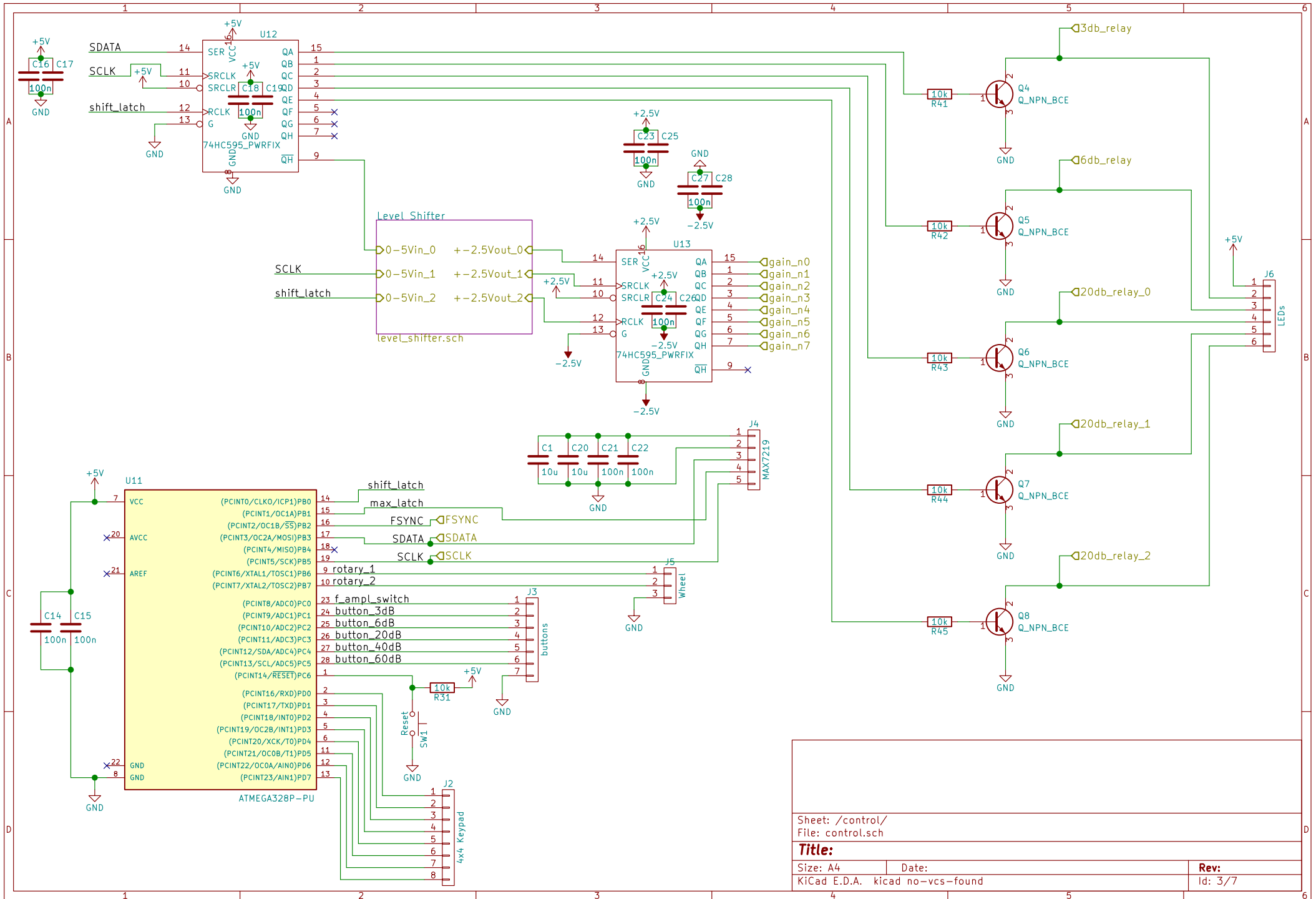
Size: A4

Date:

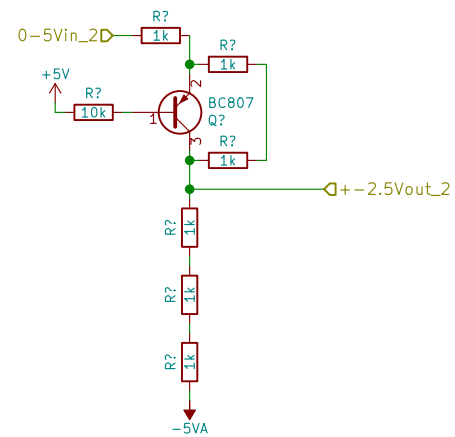
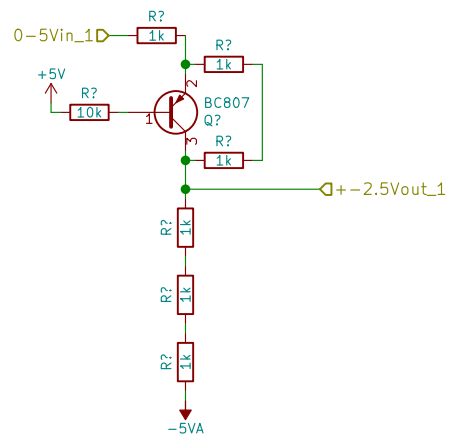
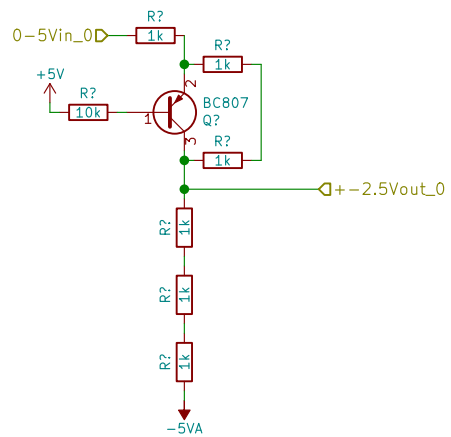
KiCad E.D.A. kicad no-vcs-found

Rev:

Id: 2/7



Sheet: /control/
 File: control.sch
Title:
 Size: A4 Date:
 KiCad E.D.A. kicad no-vcs-found Rev:
 Id: 3/7



Sheet: /control/Level Shifter/
File: level_shifter.sch

Title:

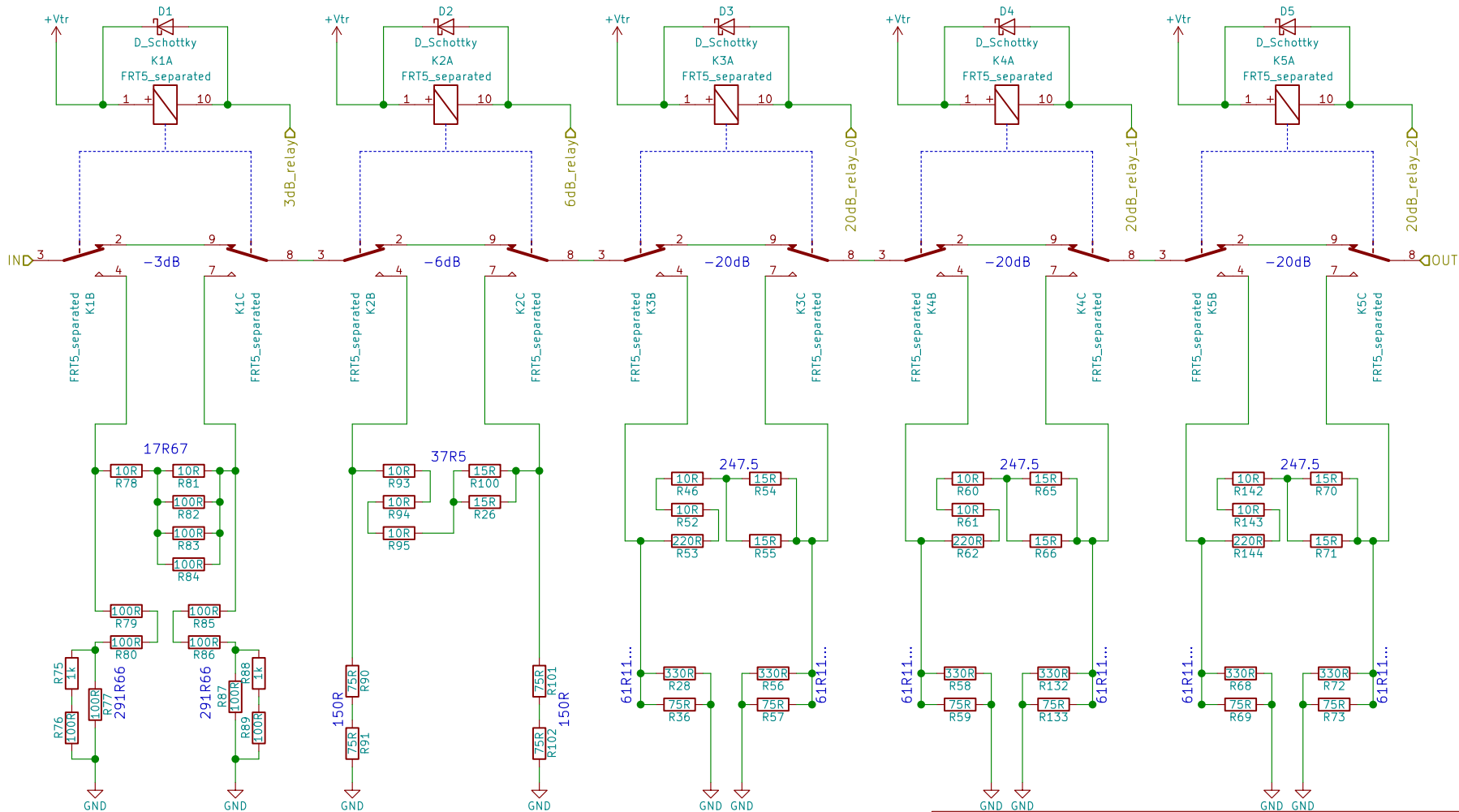
Size: A4

Date:

KiCad E.D.A. kicad no-vcs-found

Rev:

Id: 4/7



Sheet: /attenuator/
 File: attenuator.sch

Title:

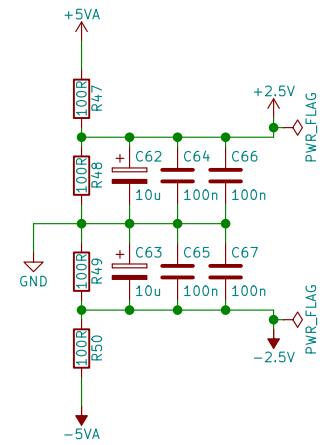
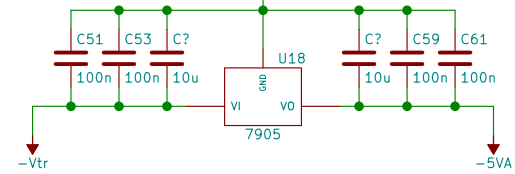
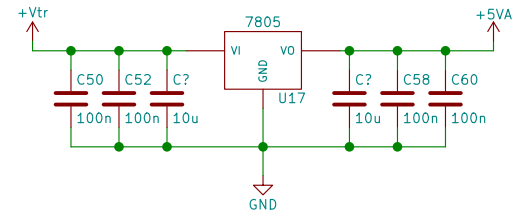
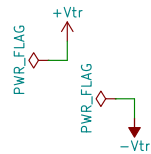
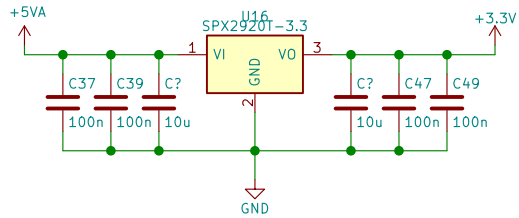
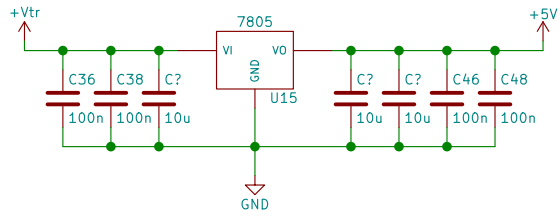
Size: A4

Date:

KiCad E.D.A. kicad no-vcs-found

Rev:

Id: 5/7



Sheet: /PowerSupply/
File: power_supply.sch

Title:

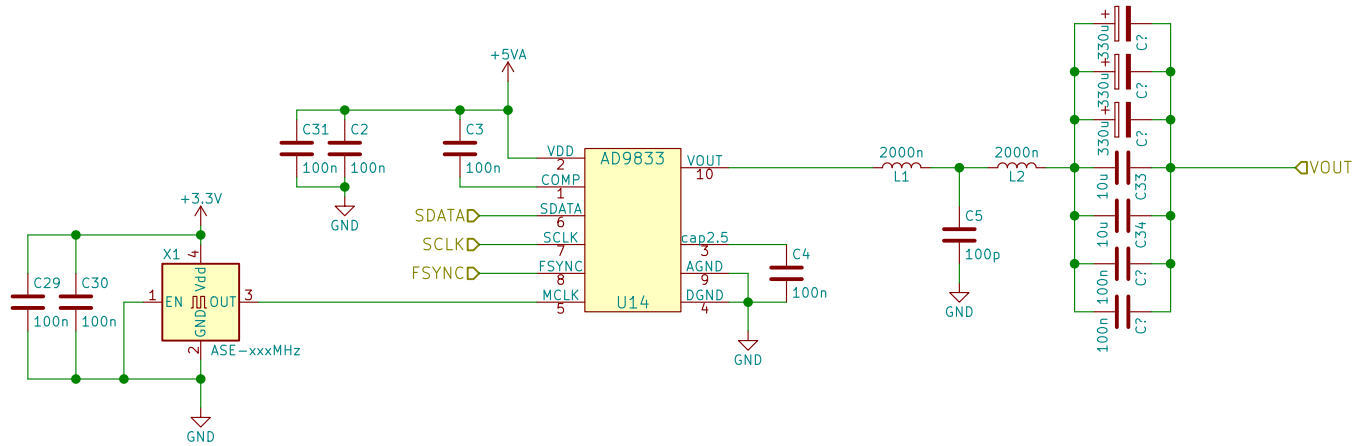
Size: A4

Date:

KiCad E.D.A. kicad no-vcs-found

Rev:

Id: 6/7



Sheet: /DDS_modul/		Date:	
File: DDS_modul.sch		Rev:	
Size: A4	KiCad E.D.A. kicad no-vcs-found		Id: 7/7