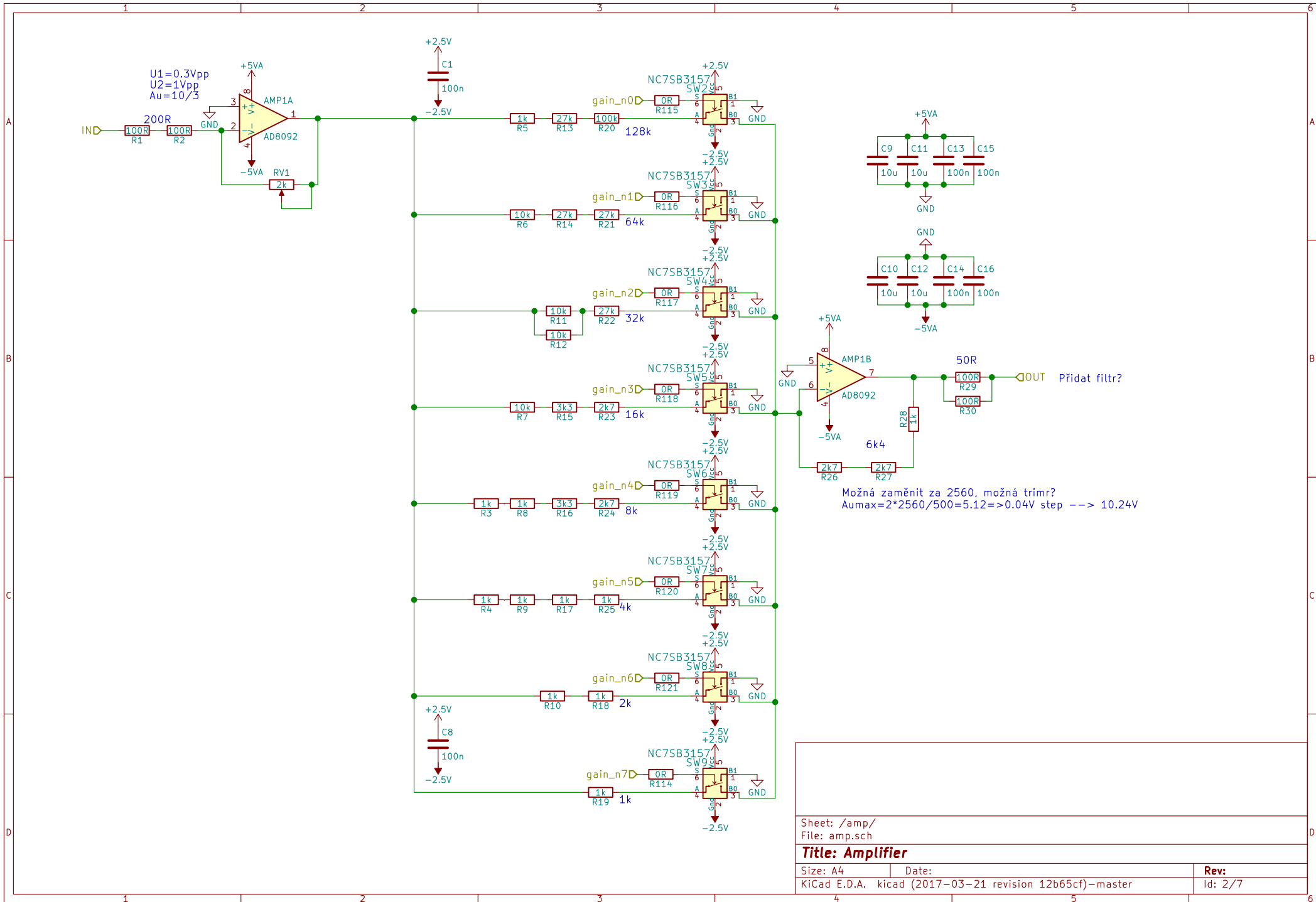
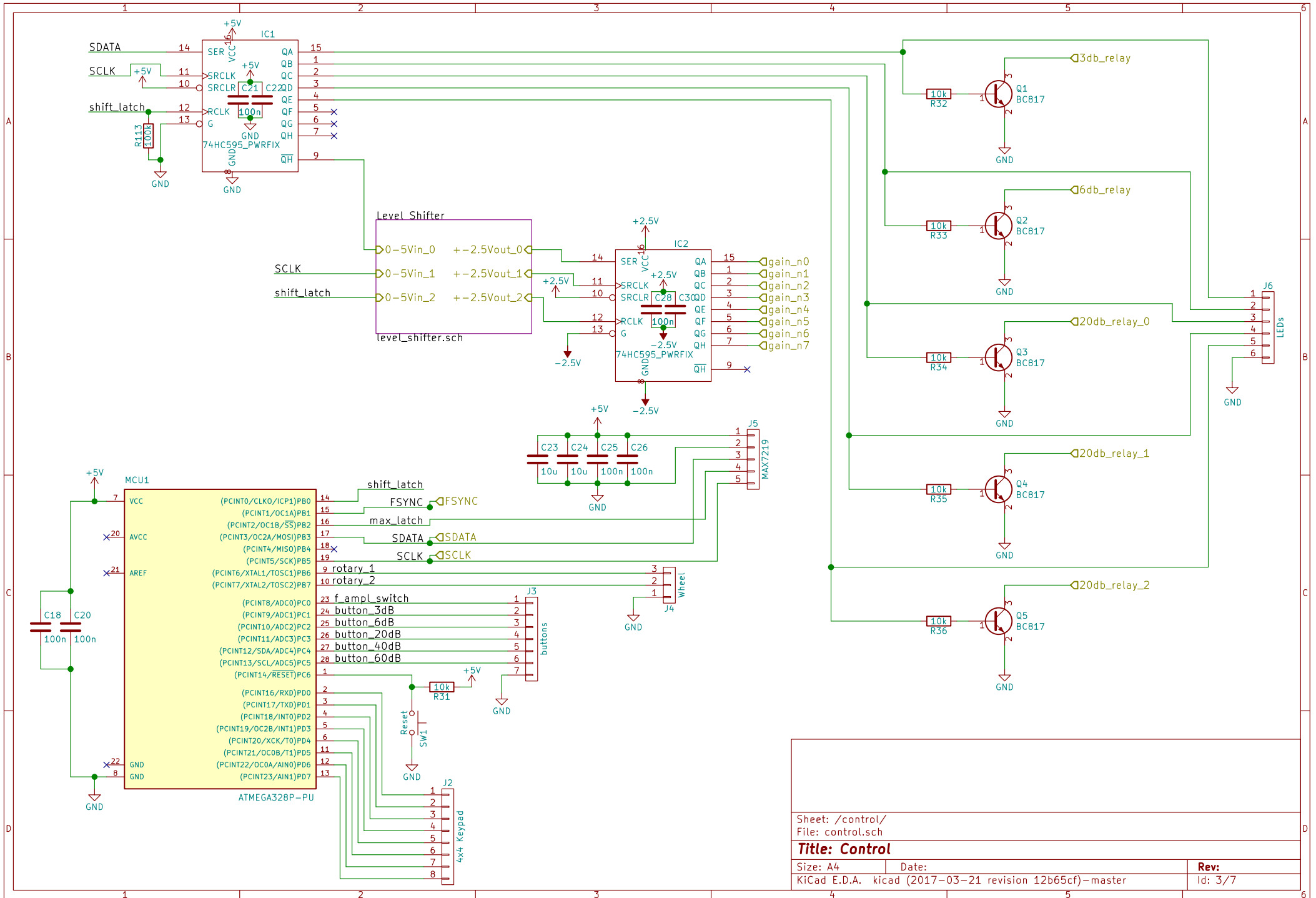


Sheet: /		File: function_generator.sch	
<b>Title: Block diagram</b>			
Size: A4	Date:	Rev:	
KiCad E.D.A. kicad (2017-03-21 revision 12b65cf)-master		Id: 1/7	

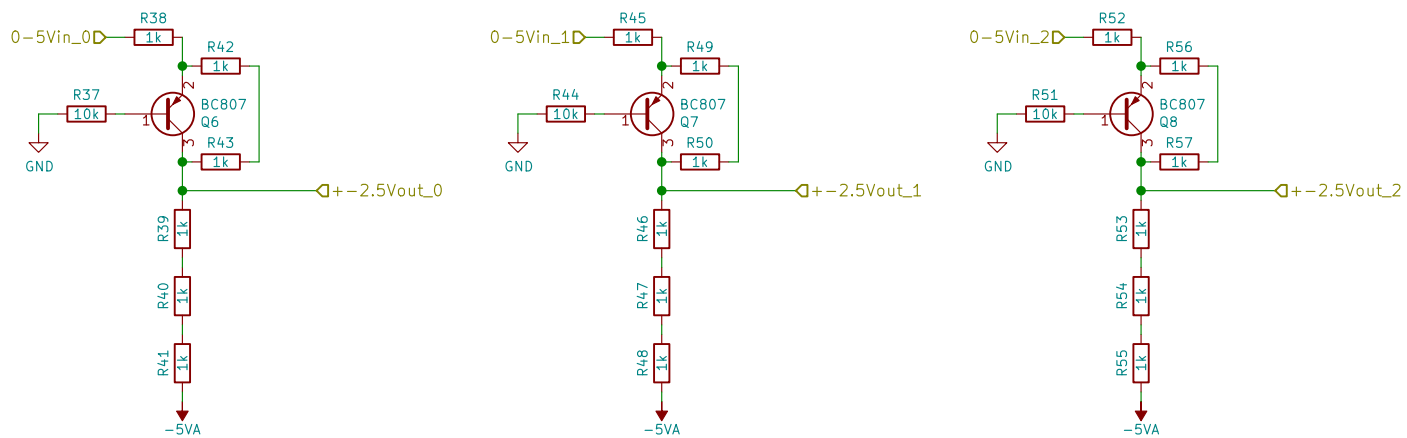


Sheet: /amp/		Date:	
File: amp.sch		Rev:	
Size: A4	KiCad E.D.A. kicad (2017-03-21 revision 12b65cf)-master		Id: 2/7



Sheet: /control/	
File: control.sch	
<b>Title: Control</b>	
Size: A4	Date:
KiCad E.D.A. kicad (2017-03-21 revision 12b65cf)-master	
Rev:	Id: 3/7

BÁZI NA ZEM!!!!!!

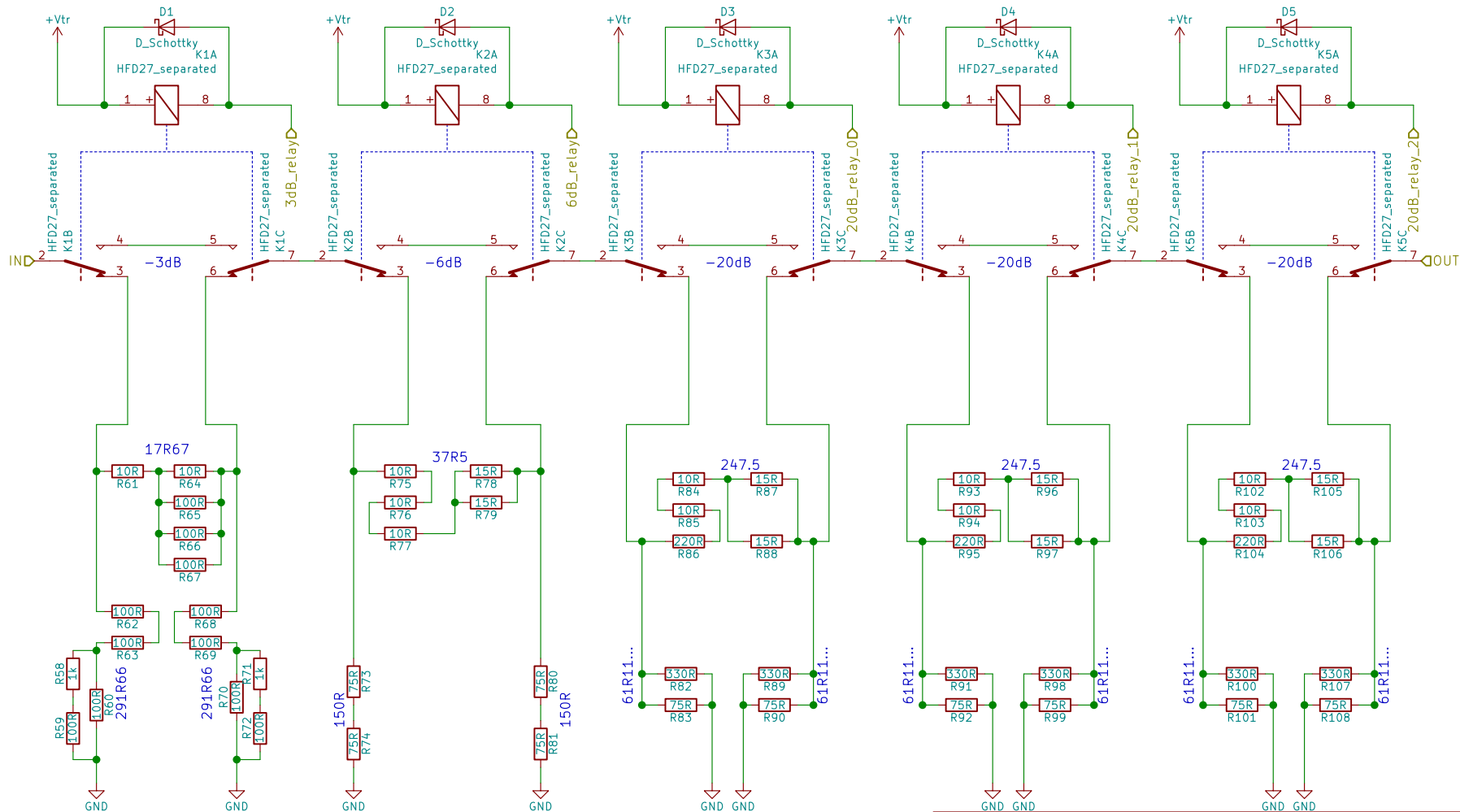


Sheet: /control/Level Shifter/  
File: level\_shifter.sch

**Title: Level shifter**

Size: A4 Date:  
KiCad E.D.A. kicad (2017-03-21 revision 12b65cf)-master

Rev:  
Id: 4/7

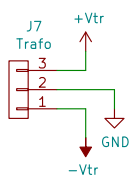
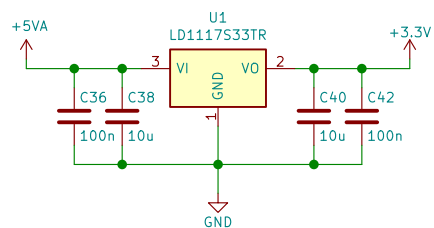
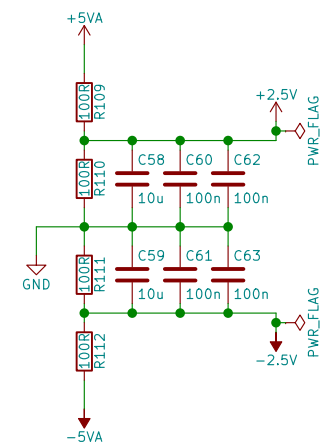
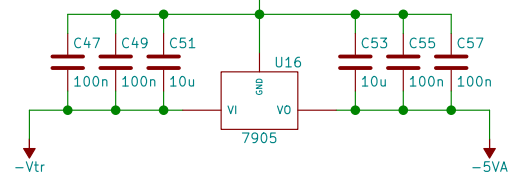
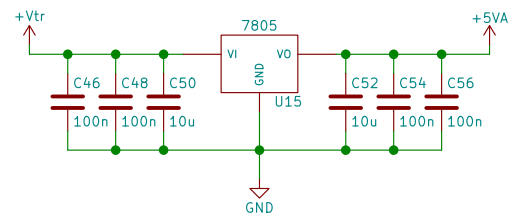
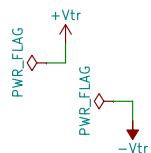
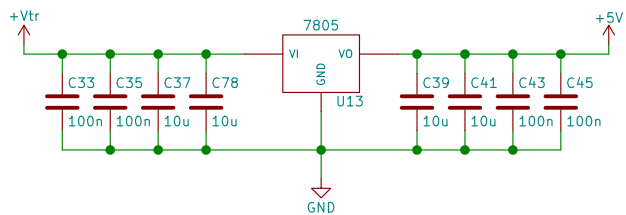


Sheet: /attenuator/  
 File: attenuator.sch

**Title: Attenuator**

Size: A4 Date:  
 KiCad E.D.A. kicad (2017-03-21 revision 12b65cf)-master

Rev:  
 Id: 5/7

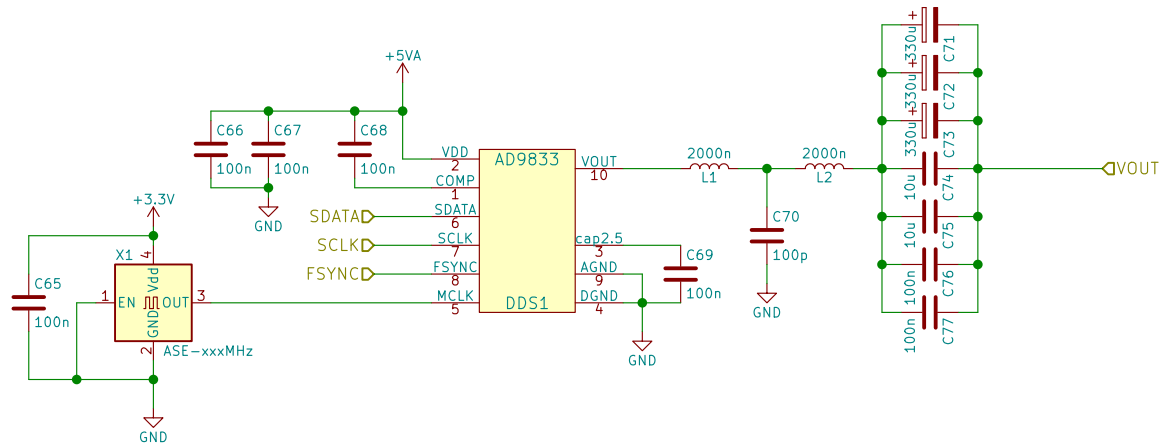


Sheet: /PowerSupply/  
File: power\_supply.sch

**Title: Power Supply**

Size: A4 Date: \_\_\_\_\_  
KiCad E.D.A. kicad (2017-03-21 revision 12b65cf)-master

Rev: \_\_\_\_\_  
Id: 6/7



Sheet: /DDS\_modul/  
File: DDS\_modul.sch

**Title: DDS**

Size: A4 Date:   
KiCad E.D.A. kicad (2017-03-21 revision 12b65cf)-master

Rev:   
Id: 7/7